

Hi!

I hope you enjoy your Decoder Buddys as much as I do!

Here are some thoughts and hyperlinks to places I would go to or use to help with an installation. There is a lot of help available. Email is good but pictures are great, and a good video is king for me.

For very fine and complete instructive videos about decoder installations, Larry Linger, a friend of mine also, has a YouTube channel called Solo Contracting. Here's the general link. If you search Larry's videos, you'll find a lot of specific installations on a lot of locomotives.

<https://www.youtube.com/@SoloContracting/videos>

I have several videos on my YouTube also. <https://www.youtube.com/@nicksanto882>. When you get to my channel page, choose videos from the navigation menu. My website is www.nixtrainz.com. The webpage has description, installation thoughts and help. You can also reach me or order from the website. Discounts for quantities are available too. My Facebook Page is NixTrainz.

Scale Sound Systems speakers are among the very best. JT Burke has done several Decoder Buddy installations on his website and YouTube too. www.scalesoundsystems.com JT also stocks Decoder Buddys so you can save on some shipping when you order them from Scale Sound Systems.



CHIPQUIK SMD291 is the solder flux I use. This is important because there are fluxes that conduct electricity. Your LEDs use so little current that some flux will cause them to light for no apparent reason. The wrong flux will cause the joint to fail and other problems also.



I use 60/40 lead solder. I like the 0.020" to 0.035" diameter Kester 44 solder for this work. The smaller the diameter the better.



Scale Sound Systems has warm white LEDs that are pre-wired with a very flexible silicone insulation that doesn't melt. I prefer this wire. eBay is also where you can purchase LEDs both raw and pre-wired. Search for smd LED.



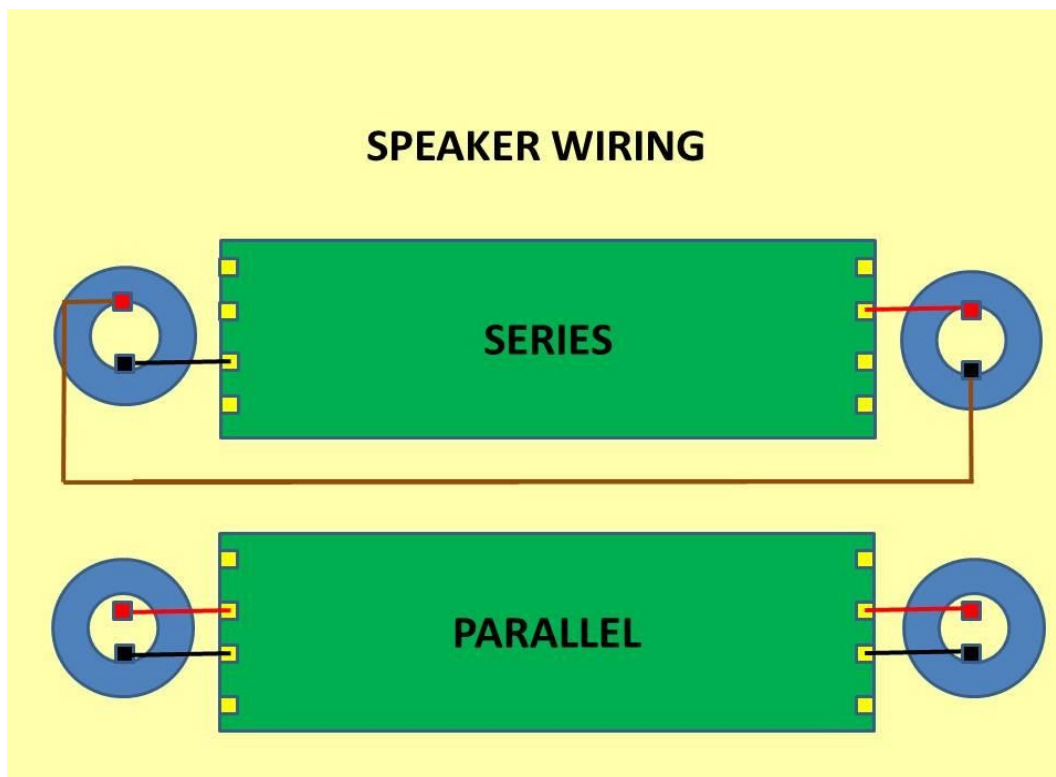
Prewired 0402 LEDs come in warm white and cool white found the dime in the road one day while I was walking. I had to search for the LEDs and when my eBay supplier disappeared, I was glad to find that Scale Sound Systems has a good source again.

Here are the incandescent bulbs I recommend for installation in locomotives....

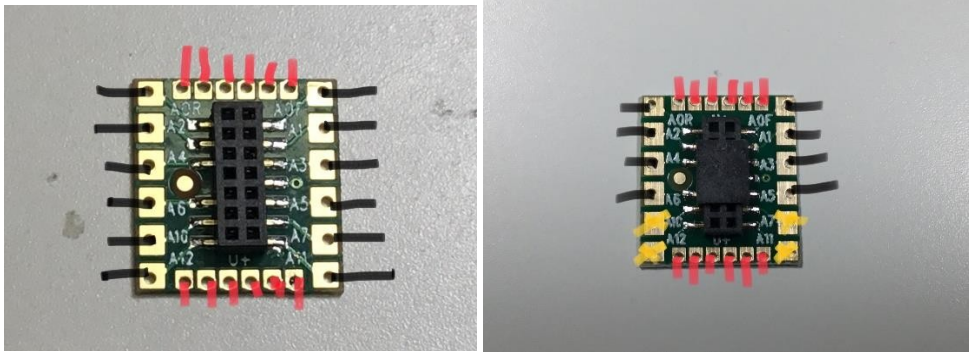
(Yup!)

Pin Number	Decoder Buddy		LokSound		SoundTraxx	TCS	Digitrax**
	Original	V5	4	5	T2 & E2 (21PNEM8)		& NCE
1		A10		A10			
2		A7		A7			
3	A6	A6	A6	A6	(FX8)	F6*	F6
4	A4	A4	A4	A4	Fx6	F4	F4
5		A12		A12			
6		A11		A11			
7	A0r	A0r	A0r	A0r	F0r	F0r	F0r
8	A0f	A0f	A0f	A0f	F0f	F0f	F0f
13	A3	A3	A3	A3	Fx5	F3	F3
14	A2	A2	A2	A2	Fx4	F2	F2
15	A1	A1	A1	A1	Fx3	F1	F1
17	A5	A5	A5	A5	(Fx7)	F5*	F5
* Note; TCS functions 5 and 6 are not programable, and will only output constant bright lights							
** Unavailable for comment							

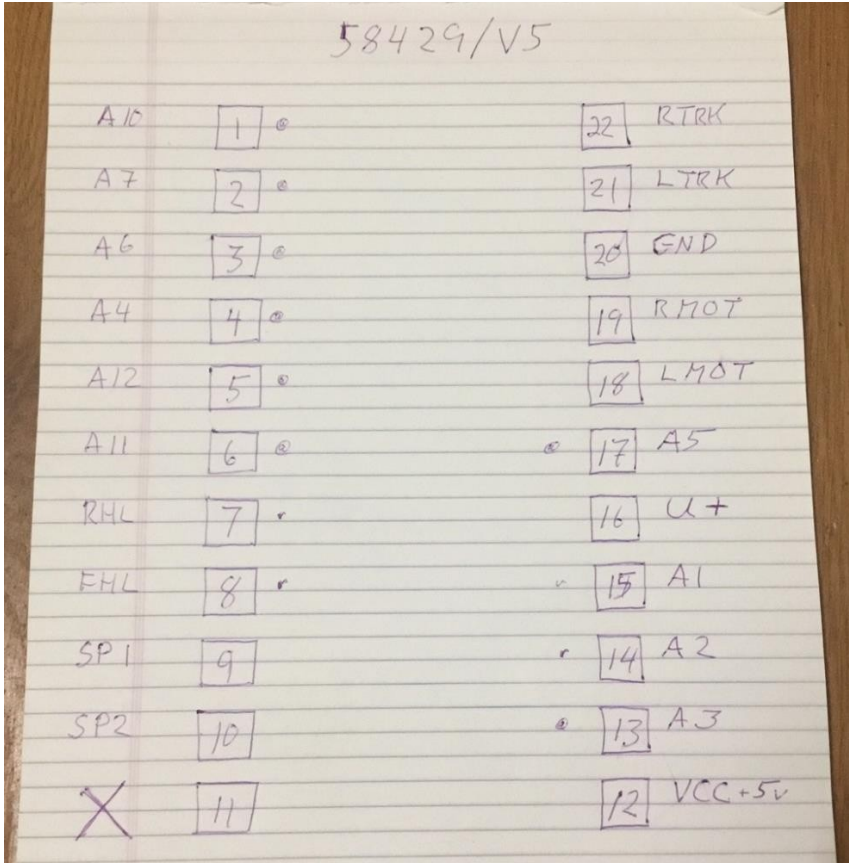
This is the Manufacture's nomenclature cross reference chart for output names.



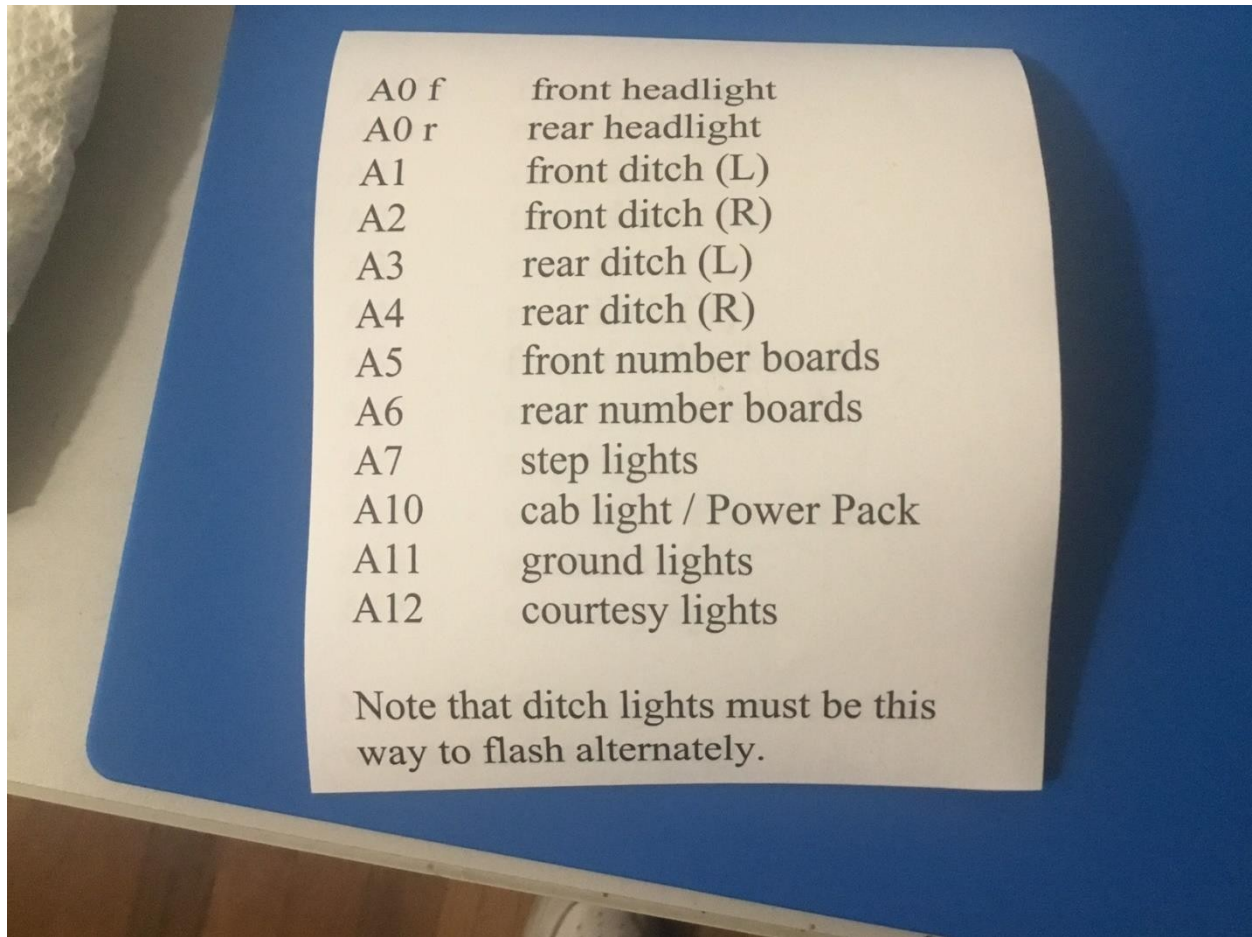
This is one way to set up series of parallel speakers in your locomotive with a large Decoder Buddy.



This reminds you to use the lowest numbered outputs and the color code for the pads.



This is the labeled 21-pin connector pinout diagram for a 12-output decoder. Combining some functions for an 8-output decoder works well also.



People sometime ask me how I set the lighting up in my locomotives. I need a list / checklist to do it about the same each time!

I hope these suggestions help! Be sure to ask if you have any questions! My email address is nick@nixtrainz.com. Enjoy!!!

Later,

Nick